

SAC-3P-M12MS/0,3-PUR/CI-1L-S

Order No.: 1669194



Sensor/actuator cable, 3-pos, PUR/PVC black, straight M12 plug on valve connector type CI, with one LED and Z-diode, cable length: 0.3 m

Commercial data	
EAN	4017918136192
Pack	1 Pcs.
Customs tariff	85444290
Weight/Piece	0.04 KG
Catalog page information	Page 90 (PC-2007)

Product notes

WEEE/RoHS-compliant since:
07/31/2006



Technical data	
General data	
Nominal current I_N	4 A
Nominal voltage U_N	24 V
Number of positions	3
Volume resistance	$\leq 5 \text{ m}\Omega$

Insulation resistance	≥ 100 MΩ
Length of cable	0.3 m
Ambient temperature (operation)	-25 °C ... 90 °C (plug/socket)
	-20 °C ... 85 °C (valve plug)
	-30 °C ... 80 °C (cable, fixed installation)
	-5 °C ... 70 °C (cable, flexible installation)

General characteristics

Coding	A - standard
Inflammability class acc. to UL 94	HB
Surge voltage category	II
Pollution degree	3
Degree of protection	IP67
Contact material	CuSn
Contact surface material	Ni/Au
Contact carrier material	TPU GF
Material of grip body	TPU, hardly inflammable, self-extinguishing
Contact material	CuSn
Contact surface material	Ag
Valve plug contact insert material	PBT
Material, housing, valve plug	PBT
Material, knurls	Zinc die-cast, (nickel-plated)
Sealing material	TPU (Flat gasket valve plug)
Status display	1 LED
Protective circuit/component	Z diode

Conductor data

Cable type	PUR/PVC black
Conductor cross section	0.75 mm ²
AWG signal line	18
Conductor structure, signal line	24x 0.20 mm
Core diameter including insulation	Approx. 1.8 mm
Thickness, insulation	Approx. 0.34 mm (Core insulation)
	Approx. 0.35 mm (Outer cable sheath)
	Approx. 0.3 mm (Inner sheath)
External cable diameter	5.90 mm

Wire colors	Black 1, black 2, green/yellow
External sheath, color	Black RAL 9005
Insulation resistance	$\geq 1 \text{ M}\Omega \cdot \text{km}$
Nominal voltage, conductor	240 V
Test voltage, conductor	2000 V
Overall twist	3 concentrically twisted wires
Length of twist, overall twist	83 mm
Outer sheath, material	PUR
Material, inner sheath	PVC
Material conductor insulation	PVC
Conductor material	Bare Cu litz wires
Smallest bending radius, movable installation	62 mm

Certificates / Approvals

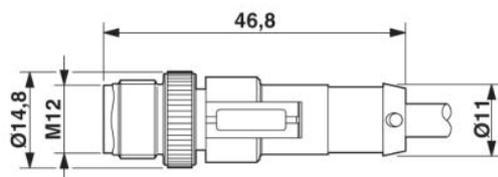


Certification

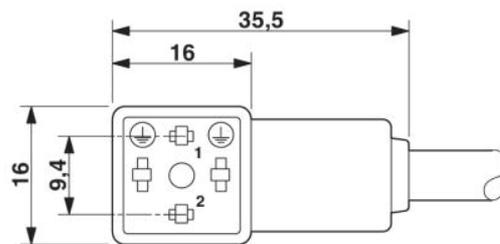
GOST

Drawings

Dimensioned drawing

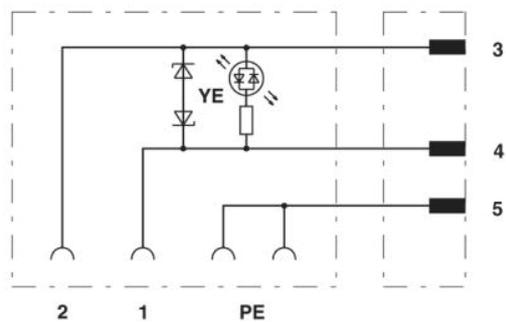


M12 x 1 male connector, straight



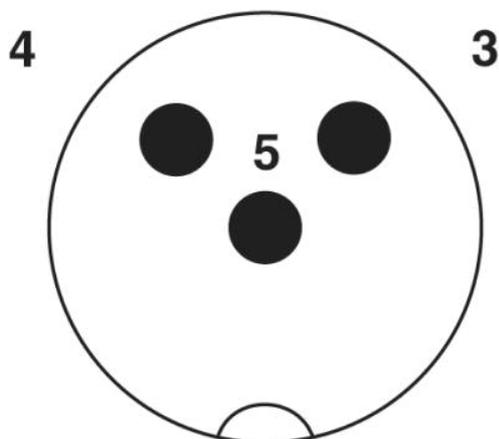
Valve connector, type CI

Circuit diagram

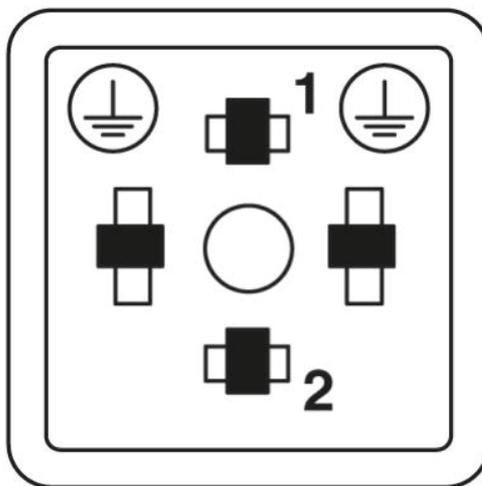


Contact assignment of M12 plugs / valve connector

Schematic diagram



Pin assignment M12 plug, 3-pos., valve connector



Valve connector connector pin assignment, type CI